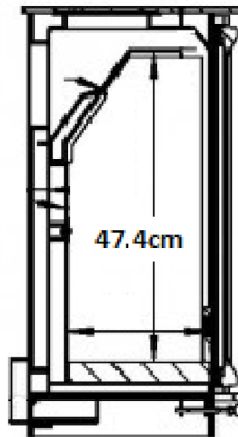
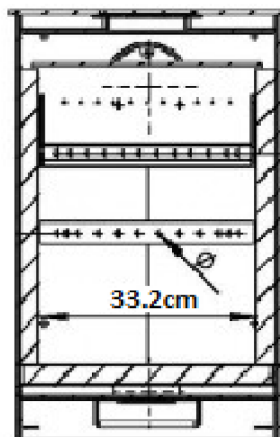
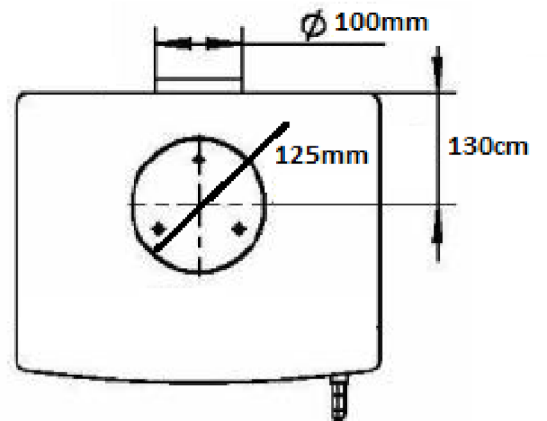
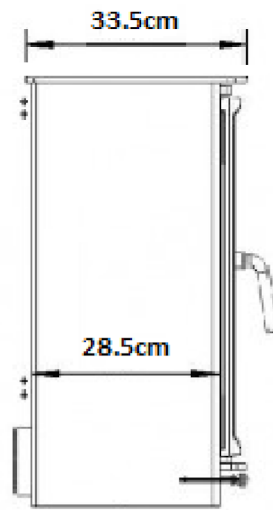
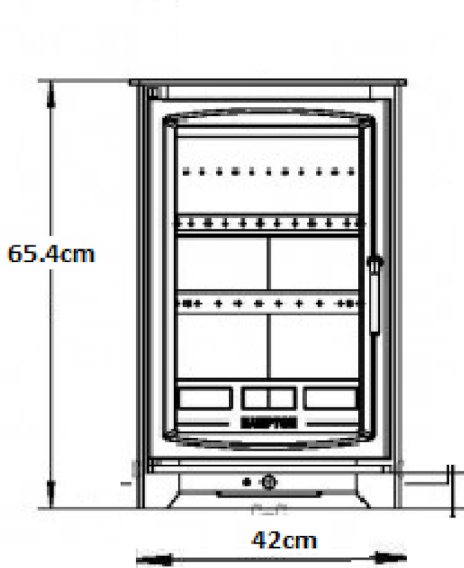




NORTHERN FLAME HAMPTON HIGHLINE 5kW



Efficiency Improvements

Number of logs required to produce 4kW of heat over a 5 hour period

