



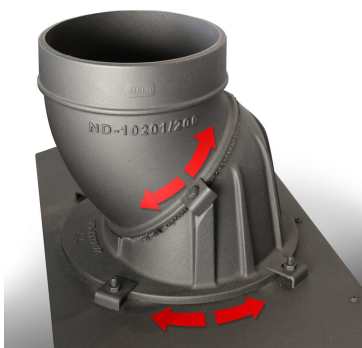
KRATKI NBU 11

The NBU 11 is an impressive 3-sided fireplace with rise-and-fall glass door. This large glass door offers an amazing view of the fire. Luxurious, modern and with refined attention to detail, this fireplace will become the centre piece of any space. The combustion chamber is lined with Kratki's signature heat intensifying ceramics. These ceramic internals are also designed with a drop-in base that offer extra space for burning wood coals.

Categories: [All fireplaces](#), [Built-in wood fireplaces](#), [Wood fireplaces](#)

Tags: [Closed-combustion](#), [Heat intensifying ceramics](#), [Modern](#), [Triple sided](#)

PRODUCT GALLERY





Kratki South Africa

www.kratki.co.za | info@kratki.co.za

ADDITIONAL INFORMATION

Weight	299 kg
Dimensions	52 × 105 × 147.1 cm
CO emissions	0.10%
Colour	Black
Country of manufacture	Poland
Efficiency	80%
Flue pipe diameter	200mm
Fuel	Wood
Heat output	14 kW
Heating capacity	220 – 325m ³
Material	Steel
Warranty	5-year warranty
Ash pan	Yes
Combustion technology	Primary, secondary and tertiary combustion
Door	Rise-and-fall glass door
Flue exit	Reversable cast iron top spigot

PRODUCT DESCRIPTION

The Kratki steel firebox range pairs sleek and contemporary design with the most modern technology in fireplace combustion. Each unit boasts a sizeable glass window that provides a beautiful view of the flames once lit. For improved safety and performance, as well as an increased lifespan, the heat-resistant glass that Kratki uses is of the highest quality. Thanks to the specialised, air-wash glass cleaning system, the soot deposits on the fireplace glass are greatly reduced.

Considering that these fireplaces are built to last Poland's harsh winters, Kratki's built-in steel range is manufactured with thick, high-quality steel – which is reflected in the solid weight of each unit.

The burn chamber is lined with Kratki's signature ceramics. When it comes to the choice of materials that can be

used inside a fireplace chamber, these thick, heat-intensifying ceramics offer the best thermal properties available. With very impressive technical specifications, this closed-combustion fireplace is an excellent heating solution for anyone looking for a high-performance, modern, built-in unit.

The range provides primary and secondary combustion. By utilising both natural convection and radiant heating technology, these units offer a cleaner burn and the maximum heat output. Most units in this range also come with tertiary combustion. As an efficient, closed-combustion fireplace, most of the heat generated by the burning wood is released more effectively into the room for your comfort.

For improved safety and performance, as well as to increase their lifespan, the heat-resistant glass that Kratki uses is of the highest quality. Thanks to the specialised, air-wash glass cleaning system, the soot deposits on the fireplace glass are greatly reduced.

All Kratki's wood-burning fireplaces come with a 5-year warranty. As a result, you can be confident that your fireplace has been designed with strength and durability at its very core and will last for many years to come.

NOTES
